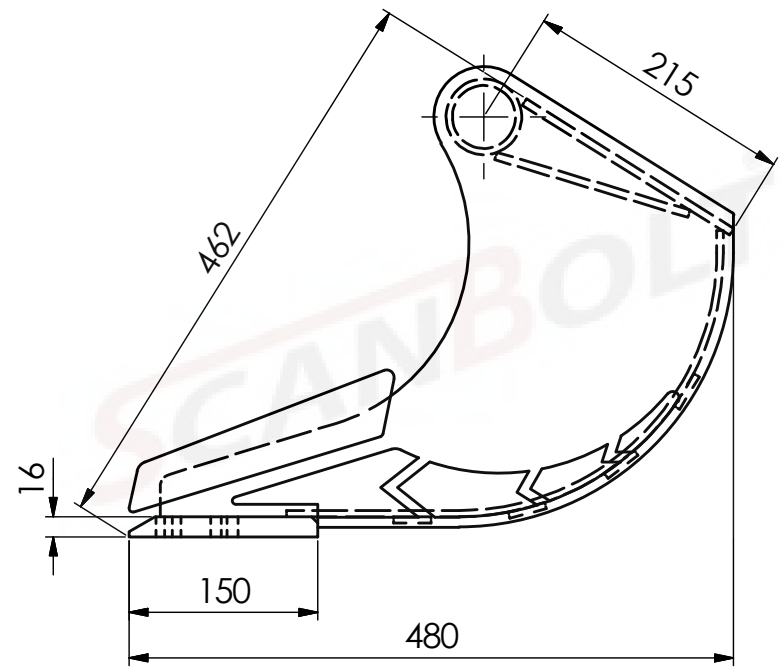
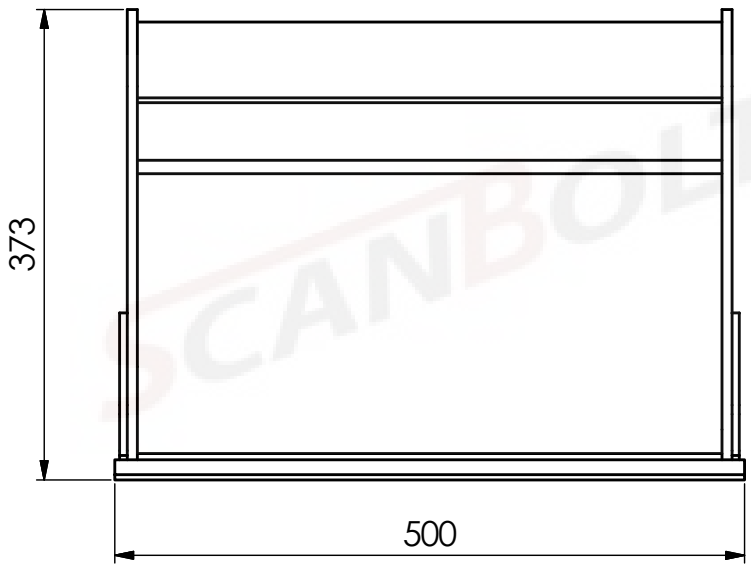
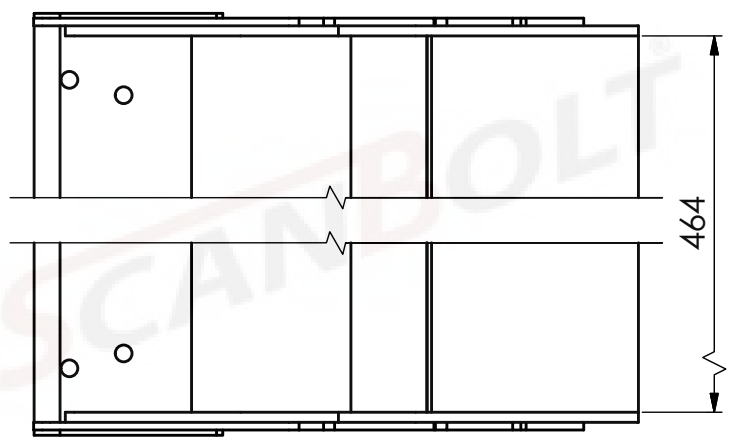
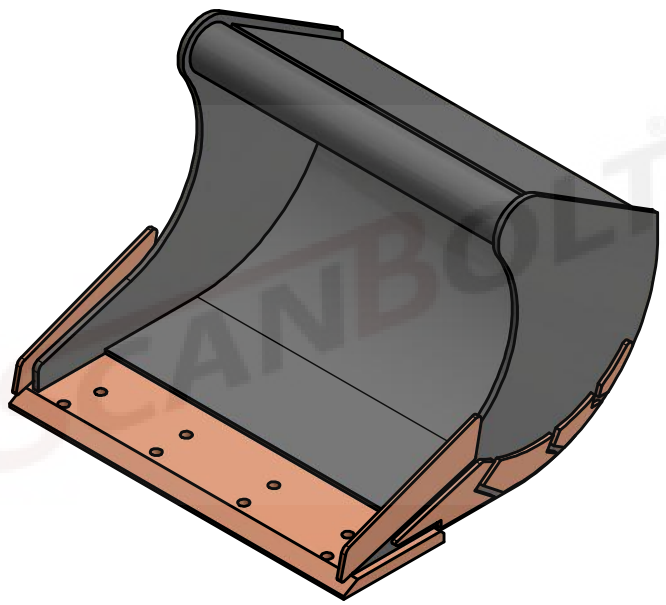


8 7 6 5 4 3 2 1



**MATERIAL SPECIFICATION**

ST52.3
EN8D
HB 400
HB 450
CASTALLOY STEEL

**SCANBOLT®**

DESCRIPTION	50CM DIGGING BUCKET
MACHINE CLASS	1.3-2.4 TON
WEIGHT	43.8 Kg
HEAPED CAPACITY	53.3 LITERS

8 7 6 5 4 3 2 1